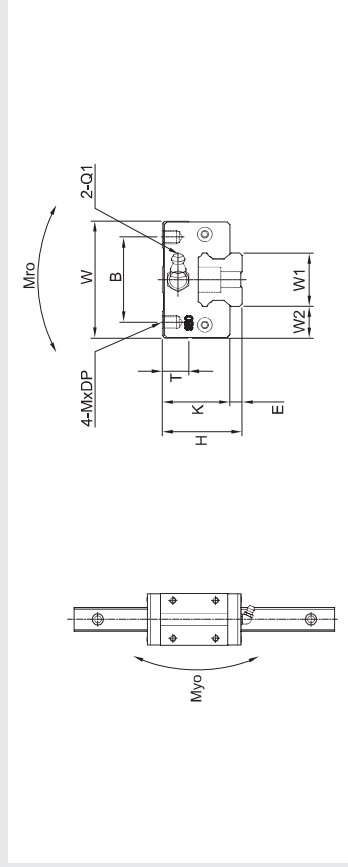


Linear Rail System

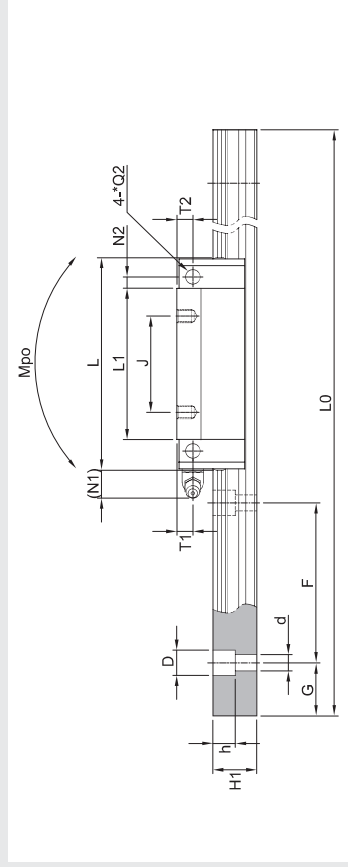
SBI High-load Linear Rail System

SBI-SLS/SL/SLL



Linear Rail System

SBI High-load Linear Rail System



Model	Mounting dimension			Block dimensions										Grease fitting			
	H	W	L	E	B	J	M	DP	L1	T-H	K	T1	N1	T2	N2	Q1	*Q2
SBI15 SLS	28	34	56.8	3	26	26	M4	5	38.2	10	25	8.5	5.5	7.8	3.8	M4x0.7	Ø3.5
SBI15 SL	28	34	63.8	3	26	26	M4	5	45.2	10	25	8.5	5.5	7.8	3.8	M4x0.7	Ø3.5
SBI15 SLL	28	34	79.4	3	26	34	M4	5	60.8	10	25	8.5	5.5	7.8	3.8	M4x0.7	Ø3.5
SBI20 SLS	30	44	73.8	4.6	32	36	M5	5	51.8	10	25.4	6	12	5.8	5	M6x0.75	Ø3.5
SBI20 SL	30	44	78.8	4.6	32	36	M5	5	56.8	10	25.4	6	12	5.8	5	M6x0.75	Ø3.5
SBI20 SLL	30	44	96.4	4.6	32	50	M5	5	74.4	10	25.4	6	12	5.8	5	M6x0.75	Ø3.5
SBI25 SLS	40	48	83	5.5	35	35	M6	8	61	16	34.5	10	12	9	5	M6x0.75	Ø3.5
SBI25 SL	40	48	92	5.5	35	35	M6	8	70	16	34.5	10	12	9	5	M6x0.75	Ø3.5
SBI25 SLL	40	48	108	5.5	35	50	M6	8	86	16	34.5	10	12	9	5	M6x0.75	Ø3.5
SBI30 SLS	45	60	96.8	7	40	40	M8	10	68.8	12	38	11.5	12	10.8	5	M6x0.75	Ø5.7
SBI30 SL	45	60	107.6	7	40	40	M8	10	79.6	12	38	11.5	12	10.8	5	M6x0.75	Ø5.7
SBI30 SLL	45	60	131.6	7	40	60	M8	10	103.6	12	38	11.5	12	10.8	5	M6x0.75	Ø5.7
SBI35 SLS	55	70	108.2	8	50	50	M8	10	78.2	15	47	15	12	15	6	M6x0.75	Ø5.7
SBI35 SL	55	70	124.6	7.5	50	50	M8	10	94.6	15	47.5	15	12	15	6	M6x0.75	Ø5.7
SBI35 SLL	55	70	152.6	7.5	50	72	M8	10	122.6	15	47.5	15	12	15	6	M6x0.75	Ø5.7
SBI45 SL	70	86	142	9	60	60	M10	13	108	17	61	20.5	13.5	19.3	6.5	PT1/8	Ø5.7
SBI45 SLL	70	86	174	9	60	80	M10	13	140	17	61	20.5	13.5	19.3	6.5	PT1/8	Ø5.7
SBI55 SL	80	100	172.4	12	75	75	M12	18	131	21	68	22	13	22	8	PT1/8	Ø8.7
SBI55 SLL	80	100	211.8	12	75	95	M12	18	170.4	21	68	22	13	22	8	PT1/8	Ø8.7
SBI65 SL	90	126	219.8	19	76	70	M16	16	170.4	26	71	14	13	14	10	PT1/8	Ø8.7
SBI65 SLL	90	126	272.2	19	76	120	M16	16	222.8	26	71	14	13	14	10	PT1/8	Ø8.7

① C (Basic dynamic load rating), Co (Basic static load rating)

② *Q2: The hole of side grease nipple is not made to prevent a foreign substance from going into inside. When you order the side grease nipple, we build it by ourselves.

Model	Rail dimension						Basic load rating			Permissible static moment			Mass		
	W1	W2	H1	F	Bolt hole		G	Max length of rail	C	Co	Mro	Mpo	Myo	Block [kg]	Rail [kg/m]
					d	D									
15	9.5	13	13	60	4.5	7.5	5.5	20	12.3	18.3	0.13	0.08	0.08	0.19	1.3
15	9.5	13	13	60	4.5	7.5	5.5	20	14.1	24.1	0.16	0.17	0.17	0.23	1.3
15	9.5	13	13	60	4.5	7.5	5.5	20	17.1	31.7	0.21	0.29	0.29	0.31	1.3
20	12	16.5	16.5	60	6	9.5	8.5	20	20.2	29.1	0.29	0.18	0.18	0.33	2.2
20	12	16.5	16.5	60	6	9.5	8.5	20	22.2	38.2	0.36	0.33	0.33	0.36	2.2
20	12	16.5	16.5	60	6	9.5	8.5	20	27.9	50	0.47	0.56	0.56	0.47	2.2
23	12.5	20	20	60	7	11	9	20	28.9	42.8	0.49	0.32	0.32	0.58	3
23	12.5	20	20	60	7	11	9	20	31.5	52.1	0.56	0.56	0.56	0.68	3
23	12.5	20	20	60	7	11	9	20	36.7	64.4	0.69	0.84	0.84	0.82	3
28	16	23	23	80	9	14	12	20	39.2	57.7	0.80	0.49	0.49	0.92	4.25
28	16	23	23	80	9	14	12	20	42.8	65.4	0.85	0.77	0.77	1.06	4.25
28	16	23	23	80	9	14	12	20	51.3	84.7	1.10	1.30	1.30	1.36	4.25
34	18	26	26	80	9	14	12	20	52.0	73.3	1.24	0.71	0.71	1.48	6.02
34	18	26	26	80	9	14	12	20	59.5	89.1	1.42	1.28	1.28	1.82	6.02
34	18	26	26	80	9	14	12	20	71.3	115.3	1.83	2.12	2.12	2.32	6.02
45	20.5	32	32	105	14	20	17	22.5	79.2	116.3	2.48	1.90	1.90	3.08	9.77
45	20.5	32	32	105	14	20	17	22.5	94.8	150.5	3.21	3.14	3.14	4.23	9.77
53	23.5	38	38	120	16	23	20	30	127.3	181.8	4.81	2.97	2.97	5.04	13.72
53	23.5	38	38	120	16	23	20	30	147.9	224.5	5.95	4.78	4.78	5.82	13.72
63	31.5	53	53	150	18	26	22	35	188.3	261.7	8.24	5.57	5.57	9.10	23.17
63	31.5	53	53	150	18	26	22	35	232.5	354.1	11.15	9.86	9.86	11.98	23.17